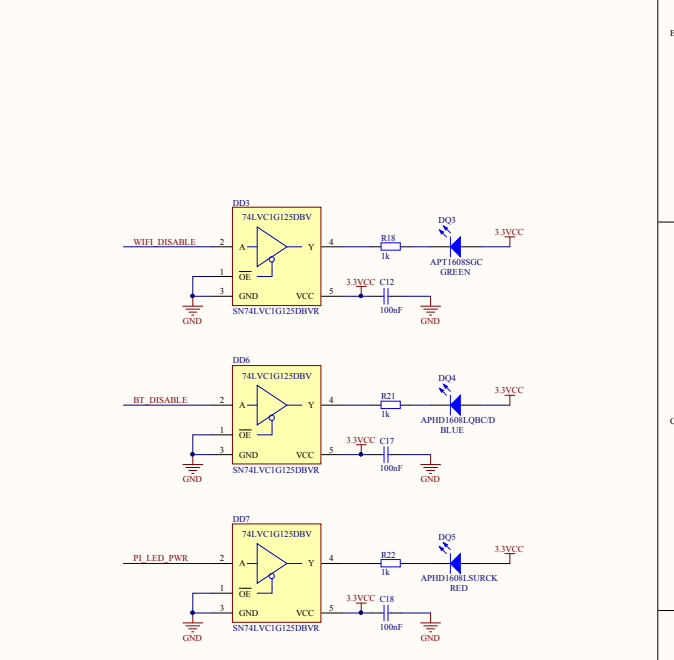
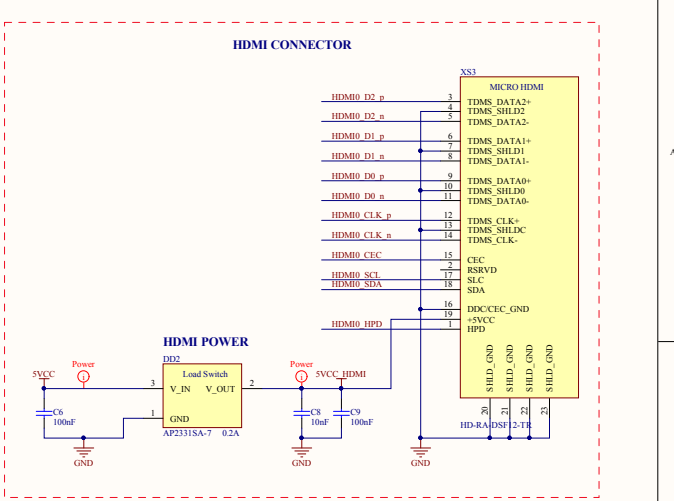
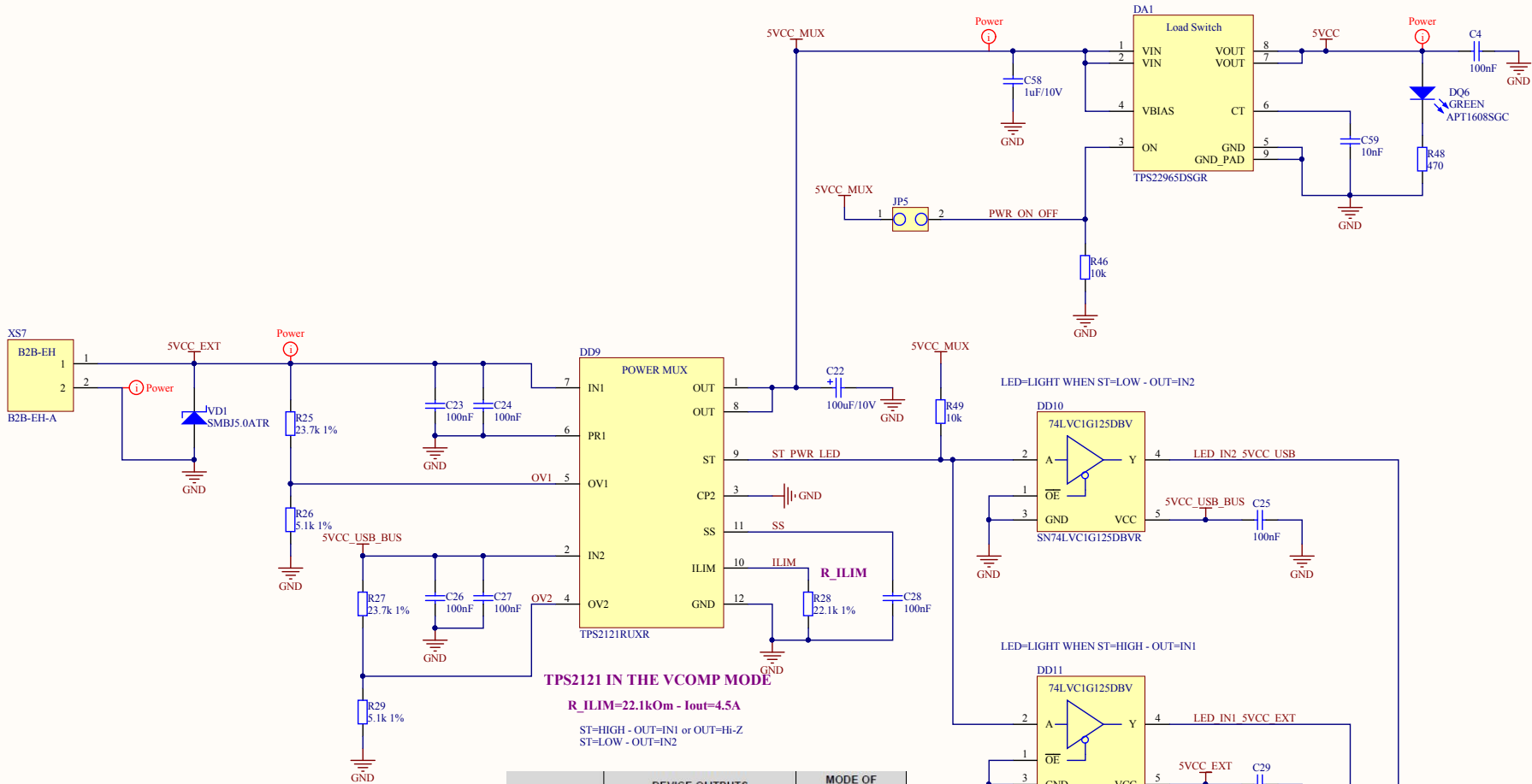


On the StereoPi module DF40C-100DS-0.4V(51). It's Receptacle H=1.5mm  
 On the CM4 module DF40C-100DP-0.4V(051). It's Header



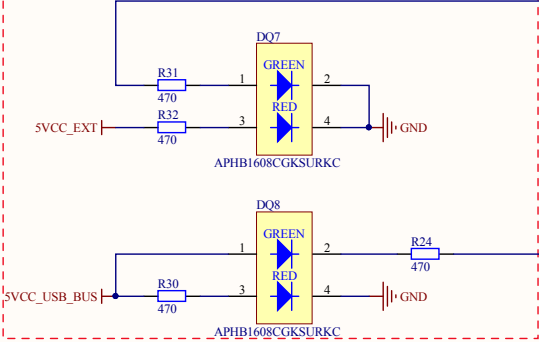
Title		Revision	
Size	Number		
A2			
Date:	18.06.2021	Sheet	of
File:	F:\Projects\01 main_rpi_cm4_sdbdc	Drawn By:	



**TPS2121 IN THE VCOMP MODE**  
**R\_ILIM=22.1kΩm - Iout=4.5A**  
 ST=HIGH - OUT=IN1 or OUT=Hi-Z  
 ST=LOW - OUT=IN2

VCOMP	DEVICE OUTPUTS		MODE OF OPERATION
	OUT	ST	MODE
IN2 < IN1	IN1	H	VCOMP
IN2 = IN1	IN2	L	VCOMP

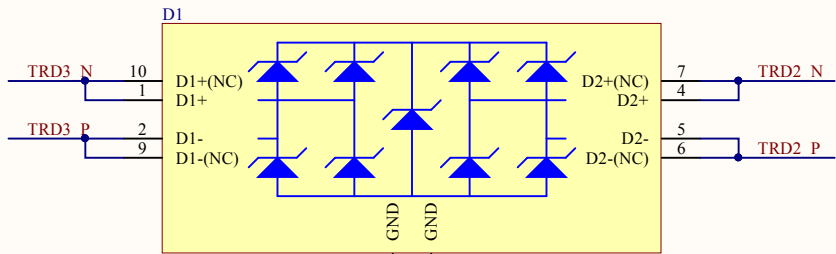
**LED CONTROL IN POWER**



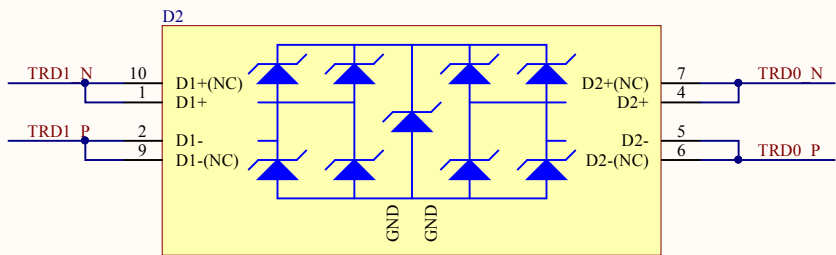
**analog - APHB1608LZGKSURKC, APHB1608ZGSURKC**

Title		
Size	Number	Revision
A3		
Date:	18.06.2021	Sheet of
File:	E:\Projects\...02_power_rpi_cm4.SchDoc	Drawn By:



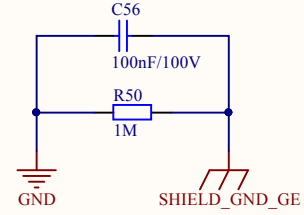
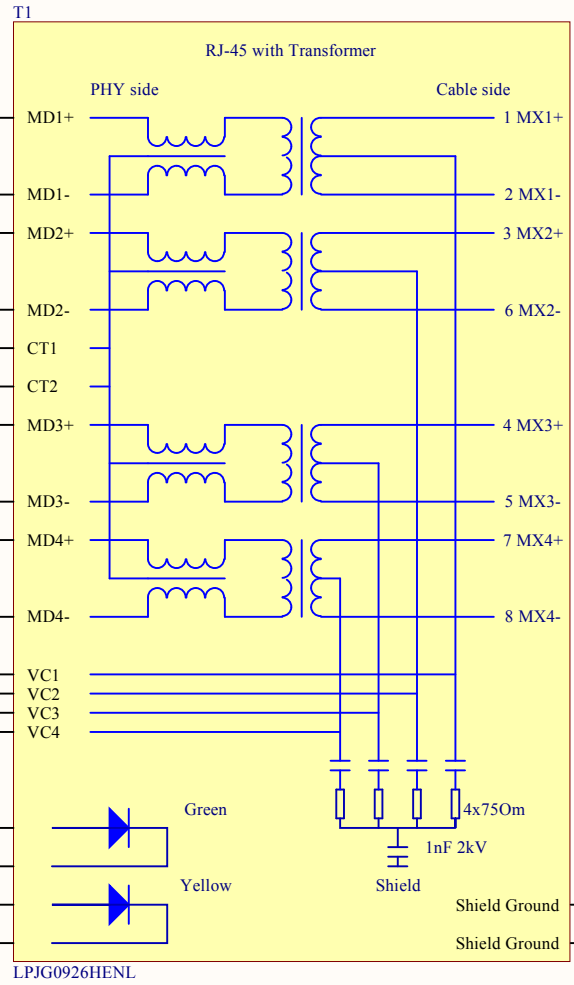
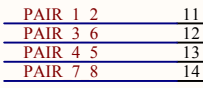
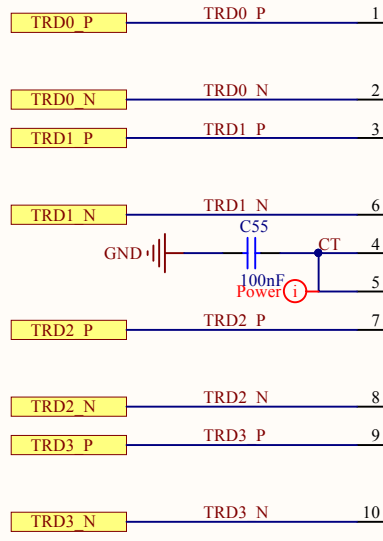


TPD4EUSB30DQAR



TPD4EUSB30DQAR

analog - RCLAMP0524J.TCT



Title		
Size	Number	Revision
A4		
Date:	18.06.2021	Sheet of
File:	E:\Projects\...04 ethernet connector.rpt	